

Talon openGear Decoders

H.264 | H.265

FEATURES

- Embedded 8 Audio Channels for each input
- Genlock
- Color Depth 10-bit 4:2:2
- Protocols: UDP, RTP, SRT™, Zixi™
- SDI Output Video Format pass through from incoming transport stream
- Audio Compression AAC-LC
- SEI Embedded CEA-708 closed caption support
- SMPTE 2038 Support
- Dual GigE Ethernet, 1x RJ45, 1x openGear Frame (requires Ross Video MFC-OG3-N Advanced Networking Frame Controller)
- JSON REST API
- Secure HTTPS (SSL) web-based management
- OpenVPN and OpenConnect Client
- Whitelist/Firewall for management IP access

* interlaced decoding only supported HEVC point-to-point between Talon Encoder and Talon Decoder

Models:

- | | |
|-----------|--|
| OG-3G-2D | Dual Channel 1080P60 |
| OG-12G-2D | Dual Channel 4K30 or Single Channel 4K60 |

SPECIFICATIONS:

I/O Connections:

- HD-BNC for SDI
- Ethernet #1 - RJ45
- Ethernet #2 – openGear Frame
- Genlock – openGear Frame

Video Formats

- DCI 4K at 23.98/24/25/29.97/30/50/59.94/60 fps (OG-12G-2D)
- UHD 4K at 23.98/24/25/29.97/30/50/59.94/60 fps (OG-12G-2D)
- 1080p at 23.98/24/25/29.97/30/50/59.94/60 fps
- 1080i at 30/25 fps *
- 720p at 25/29.97/30/50/59.94/60 fps
- PAL 576i, NTSC 480i

In the Box:

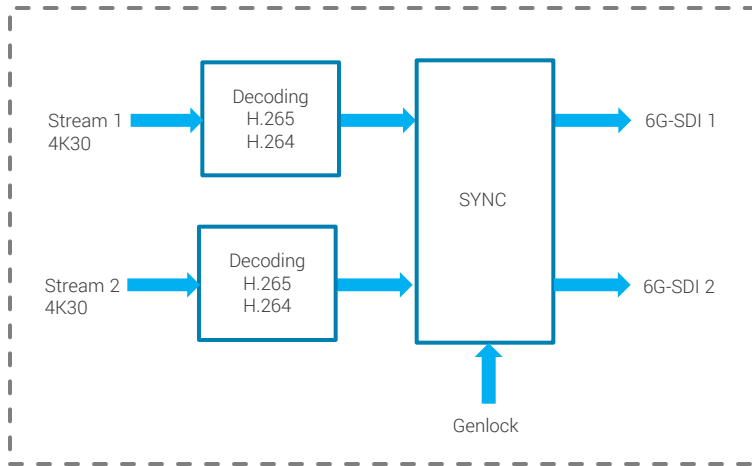
- OpenGear Card
- Rear I/O Module

Mechanical:

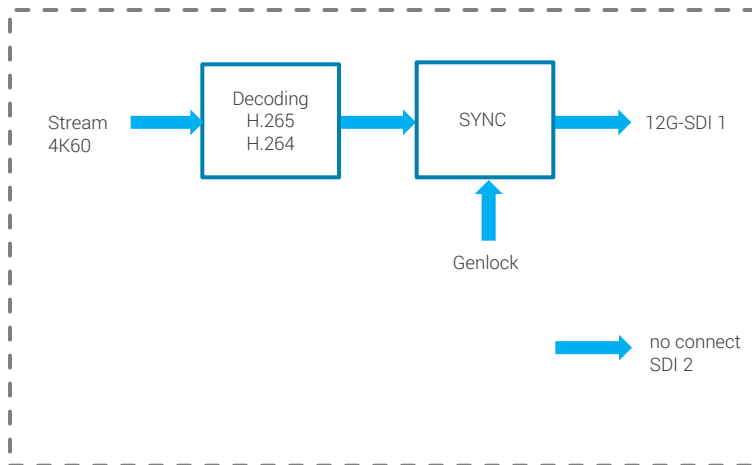
- Density: 18 Cards per OG3 or OGx Frame (20 cards when ordered with customized OGx Frame)
- Compatible with OG-X-FR, OG-3-FR and DFR8321 Frames
- Power consumption: 13W
- Operating Temperature -20C to 60C
- Operating Humidity 5% to 95% non-condensing



Talon openGear OG-12G-2D Dual 4K Decoder

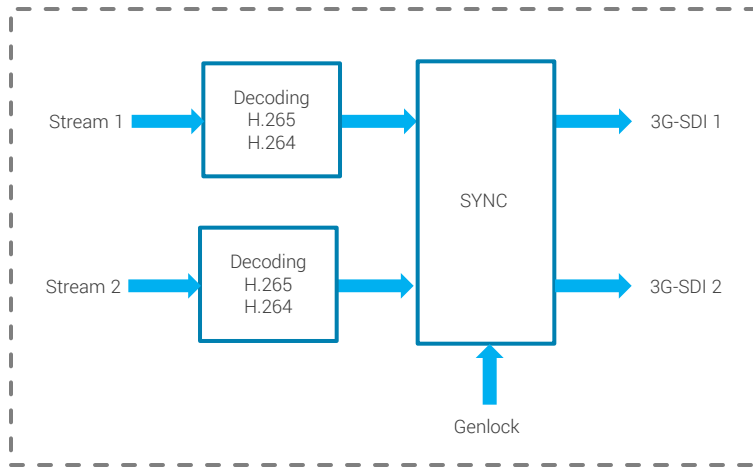


Pipeline supports two **4K30** input streams and two decodes up to **4K30**.
SDI outputs 6G-SDI



Pipeline supports one **4K60** input stream and one decode up to **4K60**.
SDI output 12G-SDI

Talon openGear OG-3G-2D Dual HD Decoder



Pipeline supports two **1080P60** input streams and two decodes up to **1080P60**.
SDI outputs 3G-SDI